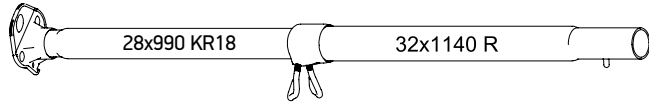


Forum Mega C3 G21-23

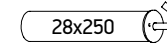
315030211



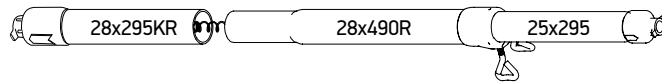
4x **B**
999320zzB



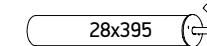
2x **F**
999320zzF



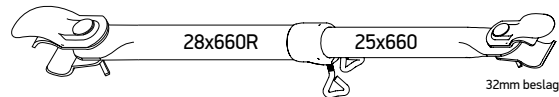
2x **AF**



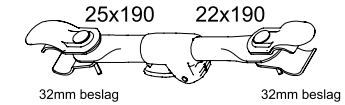
1x **MF**
999320zMF



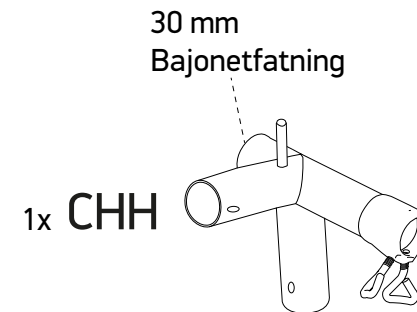
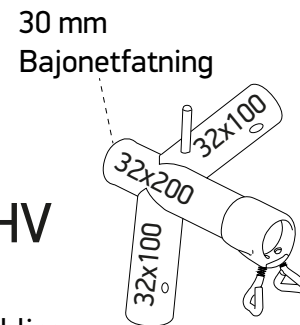
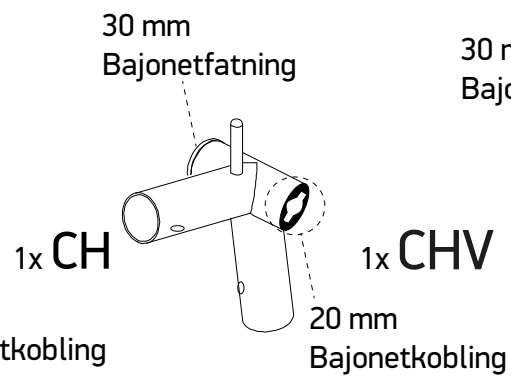
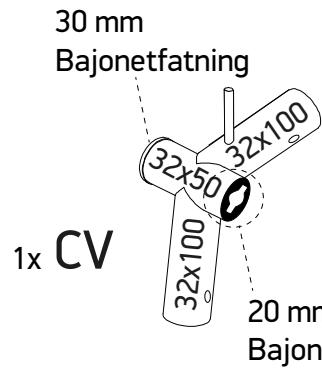
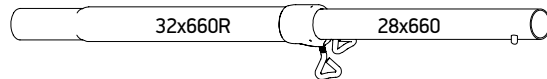
4x **AXF**



4x **FM**
999324zFm



1x **AMF**



| | | | |
|---------------------------|----------|-------------|---------|
| Pakkeliste / Packing list | | Stk. / Qty. | |
| Karton / Carton | | Small | |
| Dato/Date | Rev. no. | Units | Weight |
| 10-03-2023 | 02 | mm | --,- kg |

